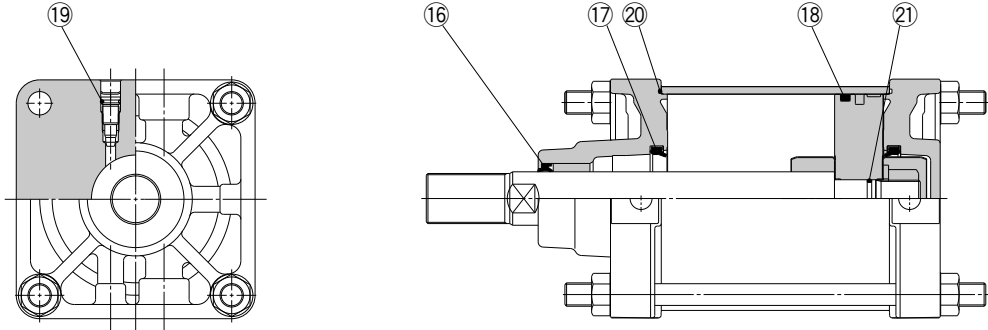


Smooth Cylinder CS2Y Series

ø125, ø140, ø160



Construction



* The numbers correspond with those in the "Construction" of the CS2Y series in the Best Pneumatics catalog.

Seal Kit List

| No. | Description | Material | Note |
|-----|----------------|----------|--|
| 16 | Rod seal | NBR | 19 and 21 are non-replaceable parts, so they are not included in the seal kit. |
| 17 | Cushion seal * | Urethane | |
| 18 | Piston seal | NBR | |
| 19 | Valve seal | NBR | |
| 20 | Tube gasket | NBR | |
| 21 | Piston gasket | NBR | |

* Used with cushion only.

Replacement Parts: Seal Kit

| Bore size (mm) | Part no. | Contents |
|----------------|--------------|---|
| 125 | CS2Y125A-PS | Without cushion |
| 140 | CS2Y140A-PS | Consists of component part numbers 16, 18, and 20 |
| 160 | CS2Y160A-PS | |
| 125 | CS2Y125AA-PS | With single-side cushion |
| 140 | CS2Y140AA-PS | Consists of component part numbers 16, 17 (two), 18, and 20 |
| 160 | CS2Y160AA-PS | |
| 125 | CS2Y125AR-PS | With single-side cushion |
| 140 | CS2Y140AR-PS | Consists of component part numbers 16, 17 (one), 18 and 20 |
| 160 | CS2Y160AR-PS | |

* The seal kit does not include a grease pack.
Order with one of the following part numbers when only the grease pack is required.

Grease pack part no.: GR-L-005 (5 g), GR-S-010 (10 g), GR-L-150 (150g)

Actuators

Modular F.R.L.
Pressure Control Equipment

Air Preparation
Equipment

Industrial Filters

Replacement
Procedure

Actuators

Modular F.R.L.
Pressure Control Equipment

Industrial Filters