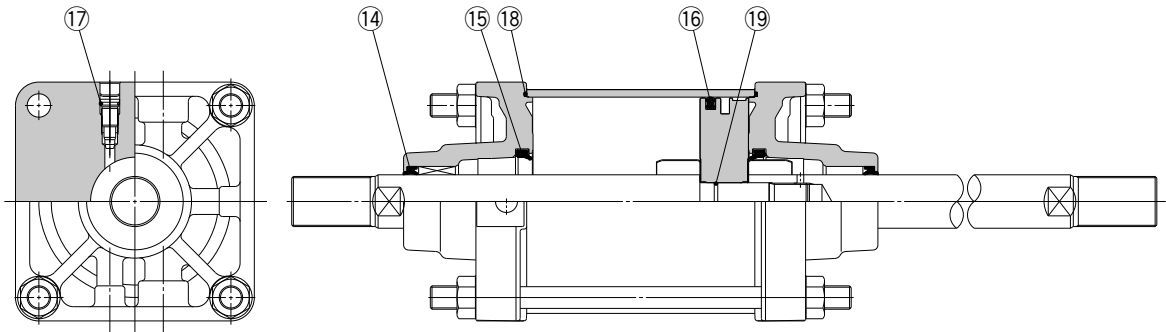


**Construction**

\* The numbers correspond with those in the "Construction" of the CS2 series in the Best Pneumatics catalog.

**Seal Kit List**

No.	Description	Material	Note
14	Rod seal	NBR	<b>17 and 19 are non-replaceable parts, so they are not included in the seal kit.</b>
15	Cushion seal	Urethane	
16	Piston seal	NBR	
17	Valve seal	NBR	
18	Tube gasket	NBR	
19	Piston gasket	NBR	

**Replacement Parts: Seal Kit**

Bore size (mm)	Part no.	Contents
125	CS2W125A-PS	Component part numbers: 14, 15, 16, 18
140	CS2W140A-PS	
160	CS2W160A-PS	

\* The seal kit includes a grease pack (40 g).  
Order with one of the following part numbers when only the grease pack is required.

**Grease pack part no.:** GR-S-010 (10 g), GR-S-020 (20 g)