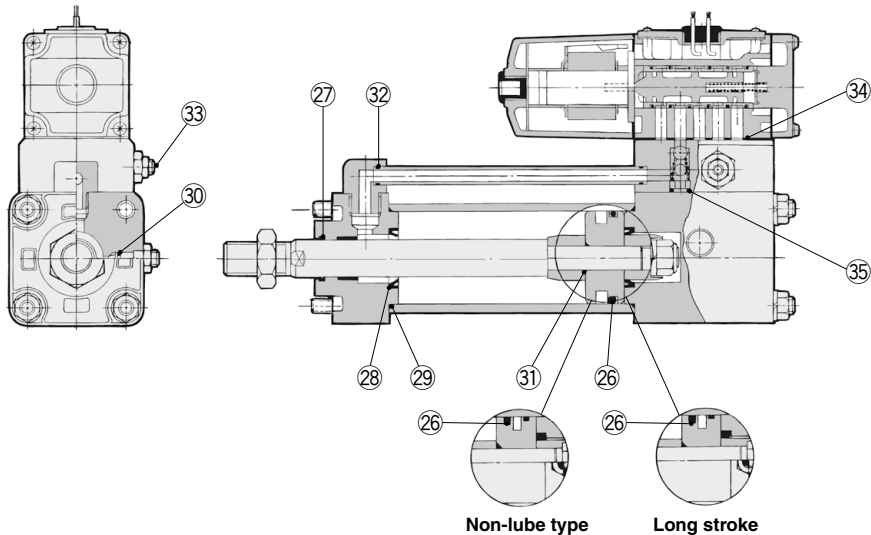


## Valve Mounted Cylinder/Double Acting

# CVS1 Series

Lube, Non-lube Type:  $\varnothing 40, \varnothing 50$   
 $\varnothing 63, \varnothing 80, \varnothing 100$

### Construction



\* The numbers correspond with those in the "Construction" of the CVS1 series in the Best Pneumatics catalog.

#### Seal Kit List

No.	Description	Material	Note
②⑥	Piston seal	NBR	28, 31, 33 and 34 are non-replaceable parts, so they are not included in the seal kit.
②⑦	Rod seal		
28	Cushion seal		
②⑨	Cylinder tube gasket		
③⑩	Cushion valve seal		
31	Piston gasket		
③②	Pipe gasket		
33	Speed adjustment valve seal		
34	Gasket		
③⑤	Valve port gasket		

#### Replacement Parts: Seal Kit

Bore size (mm)	Part no.	Contents
<b>Lube type</b>		
40	CVS1-40-PS	Set of nos. ②⑥, ②⑦, ②⑨, ③⑩, ③②, ③⑤
50	CVS1-50-PS	
63	CVS1-63-PS	
80	CVS1-80-PS	
100	CVS1-100-PS	
<b>Non-lube type</b>		
40	CVS1N40-PS	Set of nos. ②⑥, ②⑦, ②⑨, ③⑩, ③②, ③⑤
50	CVS1N50-PS	
63	CVS1N63-PS	
80	CVS1N80-PS	
100	CVS1N100-PS	

\* The seal kit includes ②⑥, ②⑦, ②⑨, ③⑩, ③②, ③⑤. Order the seal kit based on each bore size.

\* The seal kit includes a grease pack ( $\varnothing 40, \varnothing 50$ : 10 g,  $\varnothing 63, \varnothing 80$ : 20 g,  $\varnothing 100$ : 30 g).

Order with one of the following part numbers when only the grease pack is required.

**Grease pack part no.:** GR-S-010 (10 g), GR-S-020 (20 g)