

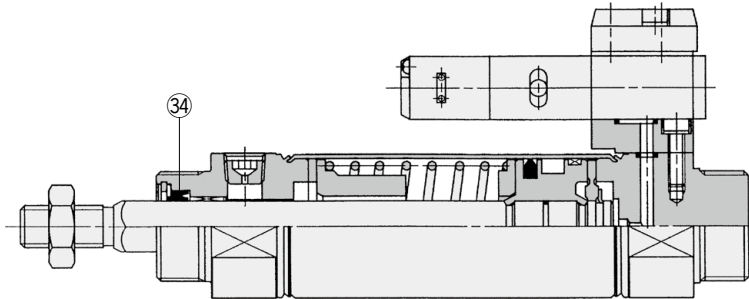
CVM3K Series

ø20, ø25
ø32, ø40

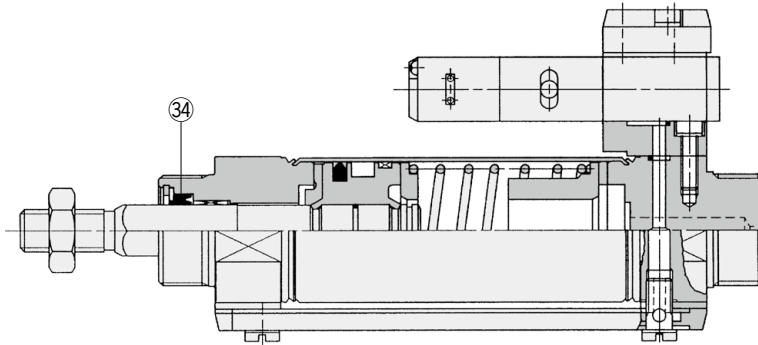
The Replacement Procedure is on p. 313

Construction

Spring return



Spring extend



* The numbers correspond with those in the "Construction" of the CVM3K series in the Best Pneumatics catalog.

Seal Kit List

No.	Description	Material	Note
34	Rod seal	NBR	

Replacement Parts: Seal Kit

Bore size (mm)	Part no.	Contents
20	CM2K20-PS	
25	CM2K25-PS	
32	CM2K32-PS	
40	CM2K40-PS	

* Since the seal kit does not include a grease pack, it should be ordered separately.

Grease pack part no.: GR-S-010 (10 g)

Actuators

Modular F.R.L.
Pressure Control Equipment

Air Preparation
Equipment

Industrial Filters

Replacement
Procedure

Actuators

Modular F.R.L.
Pressure Control Equipment

Industrial Filters