

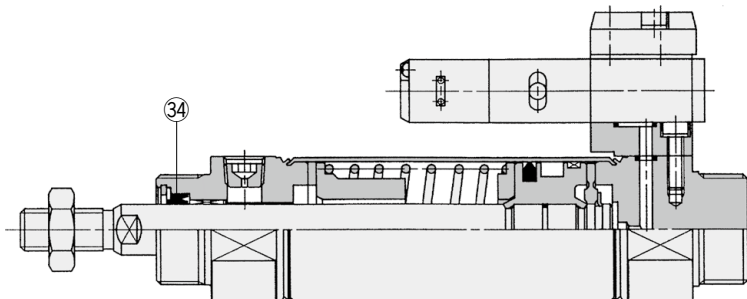
Valve Mounted Cylinder/Single Acting, Spring Return/Extend

CVM3 Series $\varnothing 20, \varnothing 25, \varnothing 32, \varnothing 40$

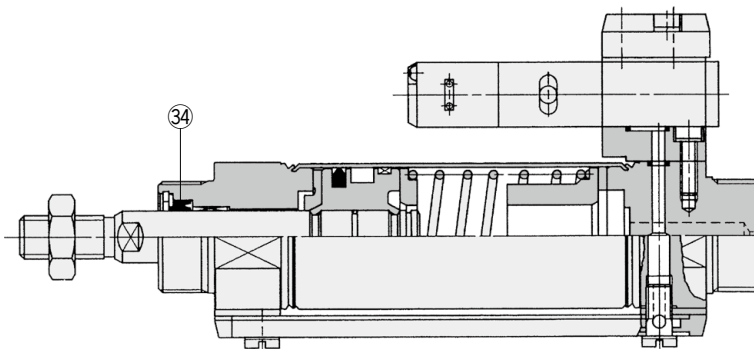
The Replacement Procedure is on p. 313

Construction

Spring return



Spring extend



* The numbers correspond with those in the "Construction" of the CVM3 series in the Best Pneumatics catalog.

Seal Kit List

No.	Description	Material	Note
34	Rod seal	NBR	

Replacement Parts: Seal Kit

Bore size (mm)	Part no.	Contents
20	CM220-PS	
25	CM225-PS	
32	CM232-PS	
40	CM240-PS	

* Since the seal kit does not include a grease pack, it should be ordered separately.

Grease pack part no.: GR-S-010 (10 g)