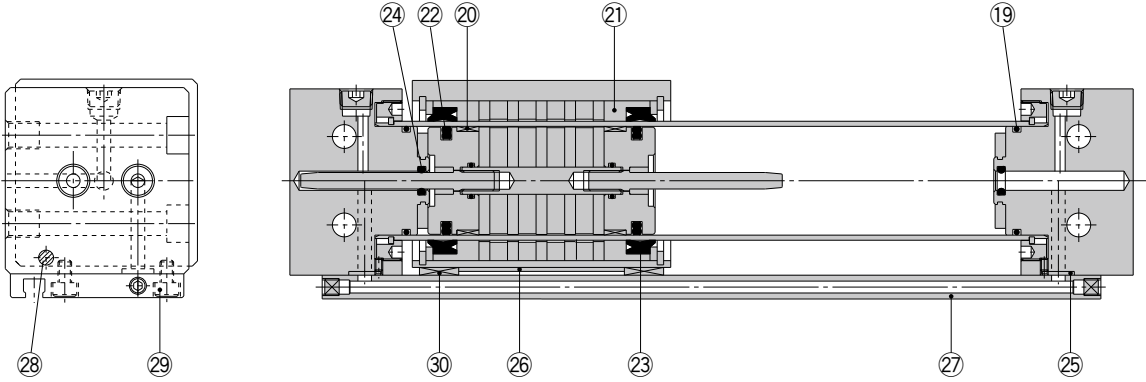


REBR Series

ø15, ø25, ø32



Construction



* The numbers correspond with those in the "Construction" of the REBR series in the Best Pneumatics catalog.

Seal Kit List

No.	Description	Material	Note
19	Cylinder tube gasket	NBR	26 to 29 are non-replaceable parts, so they are not included in the seal kit.
20	Wear ring A	Special resin	
21	Wear ring B	Special resin	
22	Piston seal	NBR	
23	Scraper	NBR	
24	Cushion seal	NBR	
25	Switch rail gasket	NBR	
26	Magnetic shielding plate	Rolled steel plate/Chromated	
27	Switch rail	Aluminum alloy/Clear anodized	
28	Magnet	—	
29	Hexagon socket head cap screw	Chromium steel/Nickel plated	
30	Wear ring C	Special resin	

Replacement Parts: Seal Kit

Bore size (mm)	Part no.	Contents
15	REBR15-PS	Set of nos. 19, 20, 21, 22, 23, 24, 25, 30
25	REBR25-PS	
32	REBR32-PS	

Note) Cushion seal 24 may be difficult to be replaced.

* The seal kit includes a grease pack (10 g).

Order with the following part number when only the grease pack is required.

Grease pack part no.: GR-S-010 (10 g)