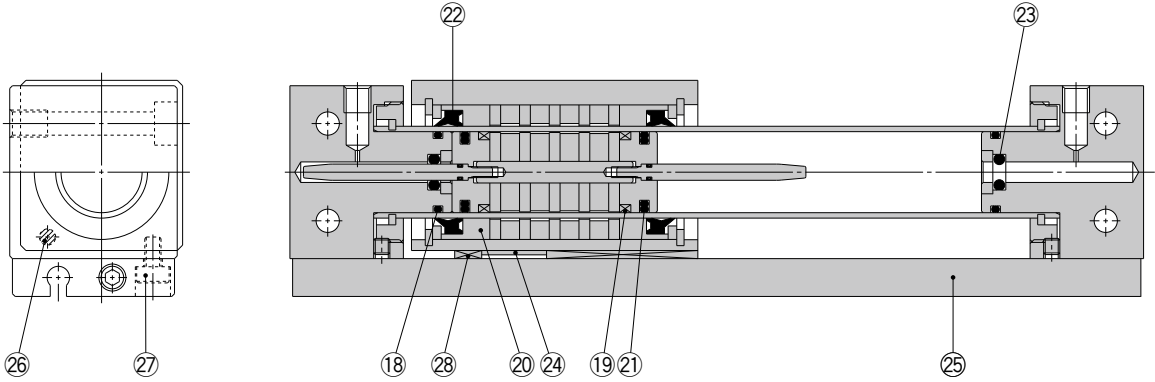


# REAR Series $\phi 10, \phi 15$



## Construction



- \* The numbers correspond with those in the "Construction" of the REAR series in the Best Pneumatics catalog.
- \* The figure is for  $\phi 15$ . (The magnet for  $\phi 10$ : 3 pcs.)

### Seal Kit List

No.	Description	Material	Note
18	Cylinder tube gasket	NBR	<b>24 to 27 are non-replaceable parts, so they are not included in the seal kit.</b>
19	Wear ring A	Special resin	
20	Wear ring B	Special resin	
21	Piston seal	NBR	
22	Scraper	NBR	
23	Cushion seal	NBR	
24	Magnetic shielding plate	Rolled steel plate	
25	Switch rail	Aluminum alloy	
26	Magnet	—	
27	Hexagon socket head cap screw	Chromium steel	
28	Wear ring C	Special resin	

### Replacement Parts: Seal Kit

Bore size (mm)	Part no.	Contents
10	REAR10-PS	Set of nos. 18, 20, 21, 22, 23, 28 <small>Note 1) 2)</small>
15	REAR15-PS	Set of nos. 18, 19, 20, 21, 22, 23, 28 <small>Note 1)</small>

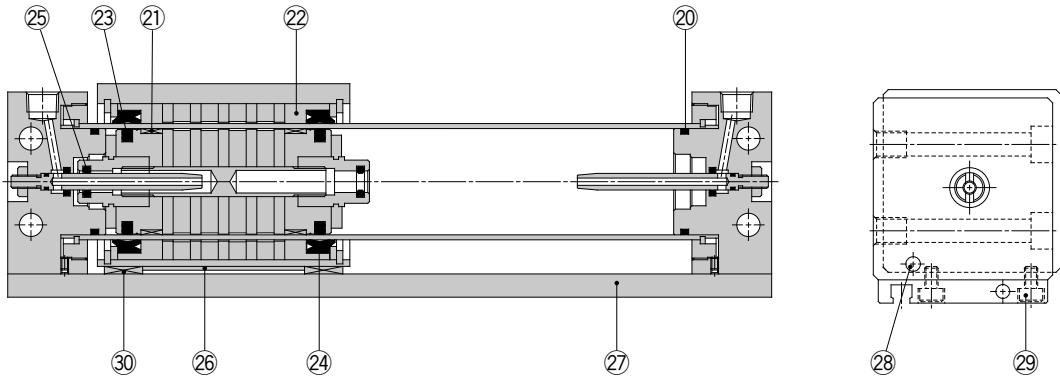
- Note 1) It may be difficult to replace the cushion seal 23.
- Note 2) For wear ring A,  $\phi 10$ , please consult with SMC.
- \* The seal kit includes a grease pack ( $\phi 10$ : 5 g and 10 g,  $\phi 15$ : 10 g). Order with one of the following part numbers when only the grease pack is required.
- For  $\phi 10$  grease pack part no.: GR-F-005 (5 g) for external sliding part  
GR-S-010 (10 g) for tube interior
- For  $\phi 15$  grease pack part no.: GR-S-010 (10 g)

Actuators  
 Modular F.R.L. Pressure Control Equipment  
 Air Preparation Equipment  
 Industrial Filters  
 Replacement Procedure  
 Actuators  
 Modular F.R.L. Pressure Control Equipment  
 Industrial Filters

# REAR Series

 $\varnothing 20, \varnothing 25, \varnothing 32, \varnothing 40$ 

## Construction



\* The numbers correspond with those in the "Construction" of the REAR series in the Best Pneumatics catalog.

### Seal Kit List

No.	Description	Material	Note
20	Cylinder tube gasket	NBR	26 to 29 are non-replaceable parts, so they are not included in the seal kit.
21	Wear ring A	Special resin	
22	Wear ring B	Special resin	
23	Piston seal	NBR	
24	Scraper	NBR	
25	Cushion seal	NBR	
26	Magnetic shielding plate	Rolled steel plate	
27	Switch rail	Aluminum alloy	
28	Magnet	—	
29	Hexagon socket head cap screw	Chromium steel	
30	Wear ring C	Special resin	

### Replacement Parts: Seal Kit

Bore size (mm)	Part no.	Contents
20	REAR20-PS	Set of nos. 20, 21, 22, 23, 24, 25, 30 (Note)
25	REAR25-PS	
32	REAR32-PS	
40	REAR40-PS	

Note) Cushion seal 25 may be difficult to be replaced.

\* The seal kit includes 20 to 25, 30. Order the seal kit based on each bore size.

\* The seal kit includes a grease pack (10 g).

Order with the following part number when only the grease pack is required.

**Grease pack part no.: GR-S-010 (10 g)**