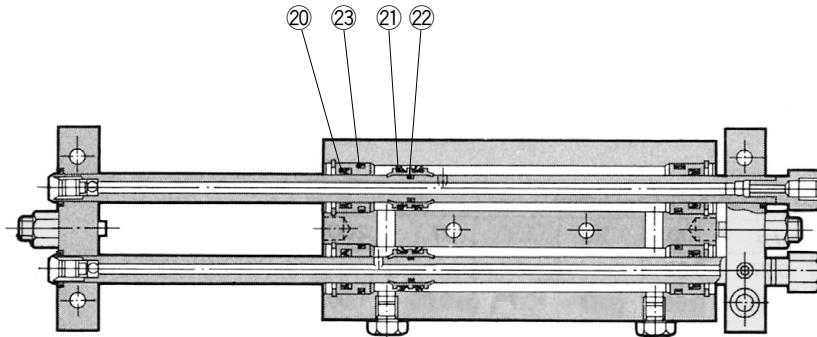


CX2 Series

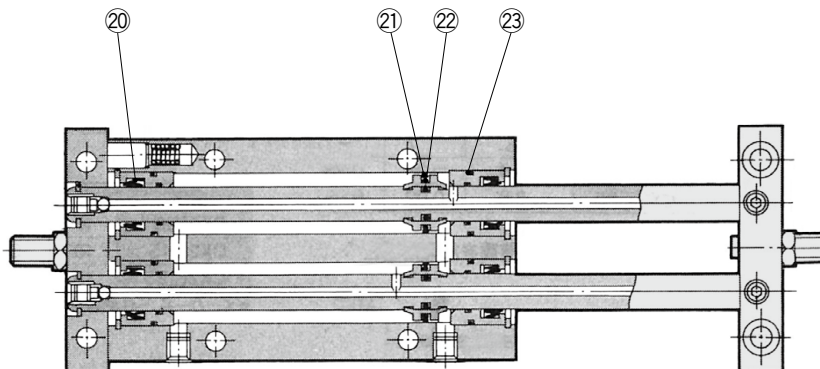
Slide bearing: $\varnothing 10$, $\varnothing 15$, $\varnothing 25$

Construction

CX2N10



CX2N15, 25



* The numbers correspond with those in the "Construction" of the CX2 series in the Best Pneumatics catalog.

Seal Kit List

No.	Description	Material	Note
②①	Rod seal	NBR	22 is a non-replaceable part, so it is not included in the seal kit.
②②	Piston seal		
②③	Piston gasket		
②④	Cylinder tube gasket		

Replacement Parts: Seal Kit

Model	Part no.	Contents
CX2N10	CX2N10-PS	Set of nos. ②①, ②②, ②③
CX2N15	CX2N15-PS	
CX2N25	CX2N25-PS	

* The seal kit includes ②①, ②②, ②③. Order the seal kit based on each bore size. (The piston gasket ②③ is not replaceable.)

* Since the seal kit does not include a grease pack, it should be ordered separately.

Grease pack part no.: GR-S-010 (10 g)

Actuators

Modular F.R.L.
Pressure Control EquipmentAir Preparation
Equipment

Industrial Filters

Replacement
Procedure

Actuators

Modular F.R.L.
Pressure Control Equipment

Industrial Filters