

Stopper Cylinder/Fixed Mounting Height

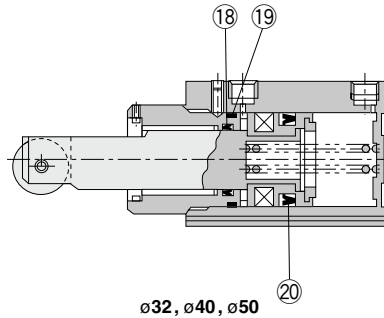
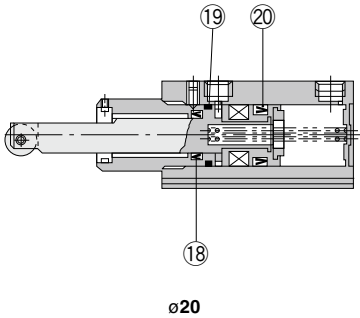
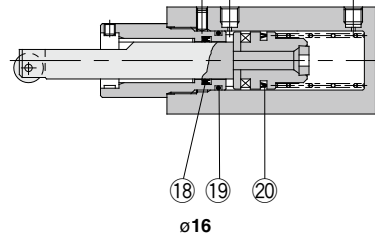
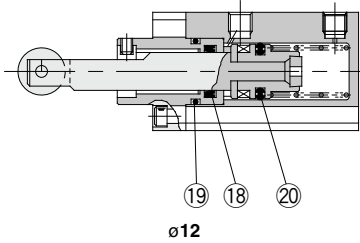
RSQ Series

ø12, ø16, ø20,
ø32, ø40, ø50

The Replacement Procedure is on p. 418

Construction

Roller rod end



* The numbers correspond with those in the "Construction" of the RSQ series in the Best Pneumatics catalog.

Seal Kit List

No.	Description	Material	Note
18	Rod seal	NBR	
19	Gasket		
20	Piston seal		

Replacement Parts: Seal Kit

Bore size (mm)	Part no.			Contents
	Double acting	Double acting with spring loaded	Single acting	
12	RSQ12D-PS	RSQ12T-PS		Set of nos. 18, 19, 20
16	RSQ16D-PS	RSQ16B-PS	RSQ16T-PS	
20	RSQ20D-PS	RSQ20B-PS	RSQ20T-PS	
32	RSQ32D-PS	RSQ32B-PS	RSQ32T-PS	
40	RSQ40D-PS	RSQ40B-PS	RSQ40T-PS	
50	RSQ50D-PS	RSQ50B-PS	RSQ50T-PS	

* The seal kit includes 18, 19, 20. Order the seal kit based on each bore size.

* Since the seal kit does not include a grease pack, it should be ordered separately.

Grease pack part no.: GR-S-010 (10 g)

Replacement Parts: Shock Absorber

Bore size (mm)	Part no.
32	RB1007-X225
40, 50	RB1407-X552

Actuators

Modular F.R.L.
Pressure Control Equipment

Air Preparation Equipment

Industrial Filters

Replacement Procedure

Actuators

Modular F.R.L.
Pressure Control Equipment

Industrial Filters