

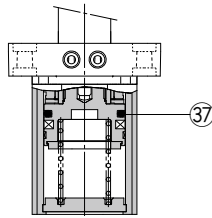
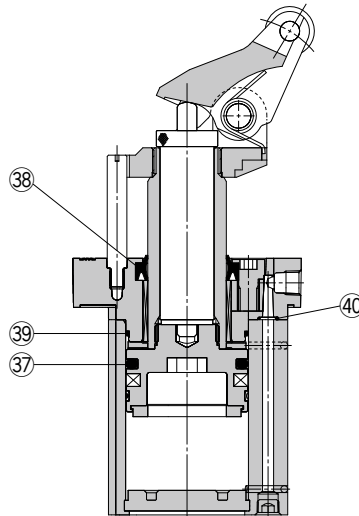
Heavy Duty Stopper Cylinder

RS2H Series ø50, ø63, ø80

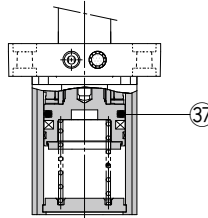


Construction

Double acting (DL, DM)



Double acting spring type
(BL, BM)



Single acting
(TL, TM)

* The numbers correspond with those in the "Construction" of the RS2H series in the Best Pneumatics catalog.

Seal Kit List

No.	Description	Material	Note
37	Piston seal	NBR	38 is a non-replaceable part, so it is not included in the seal kit.
38	Rod seal		
39	Tube gasket		
40	O-ring		

Replacement Parts: Seal Kit

Bore size (mm)	Part no.			Contents
	Double acting	Double acting spring type	Single acting	
50	RS2H50D-PS	RS2H50T-PS		Set of nos. 37, 39, 40
63	RS2H63D-PS	RS2H63T-PS		
80	RS2H80D-PS	RS2H80T-PS		

* The seal kit includes 37, 39, 40 for ø50 to ø80. Order the seal kit based on each bore size.

* Since the seal kit does not include a grease pack, it should be ordered separately.

Grease pack part no.: GR-S-010 (10 g)

Replacement Parts: Shock Absorber

Bore size (mm)	Part no.
50	RS2H-R50
63	RS2H-R63
80	RS2H-R80