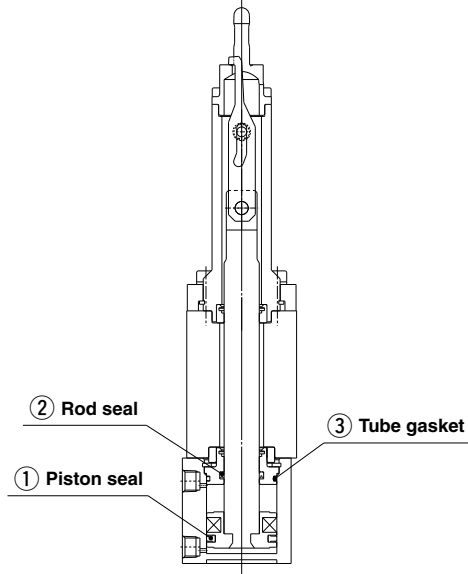


CKQG32 Series ø32

Construction

CKQG□32-100R□H-X2082



Replacement Parts: Seal Kit

Part no.	Contents
CQ2B32-PS	① Piston seal ② Rod seal ③ Tube gasket

* The seal kit includes ①, ②, ③. Since the seal kit does not include a grease pack, order the "Grease Pack" separately.

Replacement Parts: Grease Pack

Part no.	Contents
GR-S-010	Grease 10 g

* Consult with SMC when replacing the actuating cylinders.

Actuators

Modular F.R.L.
Pressure Control Equipment

Air Preparation
Equipment

Industrial Filters

Replacement
Procedure

Actuators

Modular F.R.L.
Pressure Control Equipment

Industrial Filters