

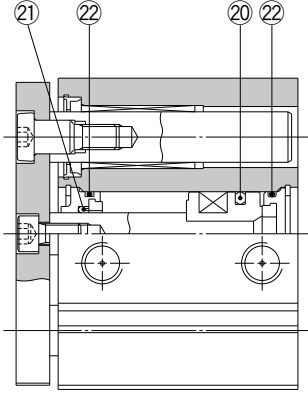
MGQ Series

ø12, ø16, ø20, ø25
ø32, ø40, ø50, ø63
ø80, ø100

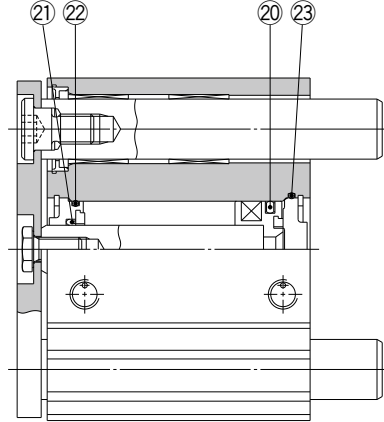


Construction

MGQM12 to 25



MGQM32 to 100



* The numbers correspond with those in the "Construction" of the MGQ series in the Best Pneumatics catalog.

Seal Kit List

No.	Description	Material	Note
⑳	Piston seal	NBR	
㉑	Rod seal		
㉒	Gasket A		
㉓	Gasket B		

Replacement Parts: Seal Kit

Bore size (mm)	Part no.	Description
12	MGQ12-PS	Set of nos. ㉑, ㉒, ㉓, ㉔
16	MGQ16-PS	
20	MGQ20-PS	
25	MGQ25-PS	
32	MGQ32-PS	
40	MGQ40-PS	
50	MGQ50-PS	
63	MGQ63-PS	
80	MGQ80-PS	
100	MGQ100-PS	

* The seal kit includes ㉑ to ㉓. Order the seal kit based on each bore size.

* Since the seal kit does not include a grease pack, it should be ordered separately.

Grease pack part no.: GR-S-010 (10 g)