

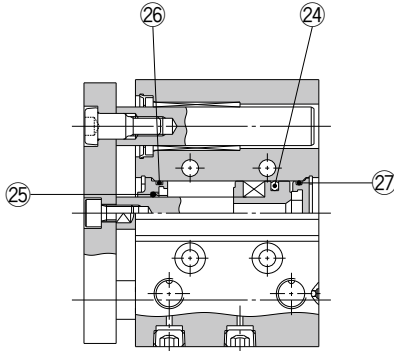
MGP Series

ø12, ø16, ø20, ø25, ø32
ø40, ø50, ø63, ø80, ø100

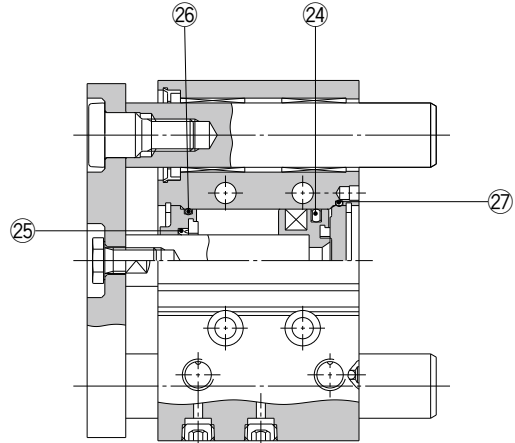
The Replacement Procedure is on p. 366

Construction

MGPM12 to 25



MGPM32 to 100



The production of this series has been discontinued. Check the following before ordering.
 • New series MGP□Z → p. 152
 • Checking whether the cylinder is a new or a previous model → p. 563, 564

* The numbers correspond with those in the "Construction" of the MGP series in the **Web Catalog**.
 * Refer to page 243 for replacement parts/seal kit and grease pack part numbers of Made-to-Order common specifications (-XB□, -XC□).

Seal Kit List

No.	Description	Material	Note
24	Piston seal	NBR	
25	Rod seal		
26	Gasket A		
27	Gasket B		

Replacement Parts: Seal Kit

Bore size (mm)	Part no.	Contents
12	MGP12-PS	Set of nos. 24, 25, 26, 27
16	MGP16-PS	
20	MGP20-PS	
25	MGP25-PS	
32	MGP32-PS	
40	MGP40-PS	
50	MGP50-PS	
63	MGP63-PS	
80	MGP80-PS	
100	MGP100-PS	

* The seal kit includes 24 to 27. Order the seal kit based on each bore size.
 * Since the seal kit does not include a grease pack, it should be ordered separately.

Grease pack part no.: GR-S-010 (10 g)

Actuators

Modular F.R.L.
Pressure Control Equipment

Air Preparation Equipment

Industrial Filters

Replacement Procedure

Actuators

Modular F.R.L.
Pressure Control Equipment

Industrial Filters

Compact Guide Cylinder/With Air Cushion

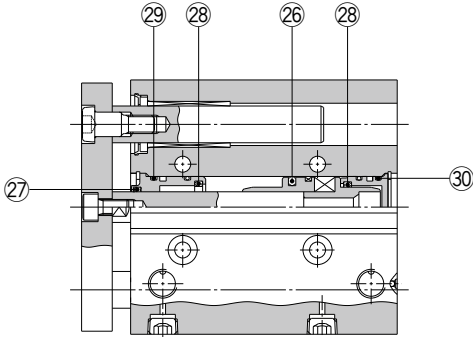
MGP-□A Series

ø16, ø20, ø25
 ø32, ø40, ø50
 ø63, ø80, ø100

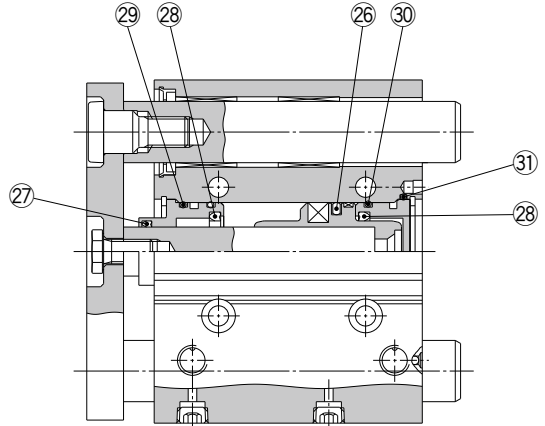


Construction

MGPM16 to 25



MGPM32 to 100



The production of this series has been discontinued.
 Check the following before ordering.
 • New series MGP-□AZ → p. 153
 • Checking whether the cylinder is a new or a previous model → p. 563, 564

* The numbers correspond with those in the "Construction" of the MGP series in the **Web Catalog**.

Seal Kit List

No.	Description	Material	Note
②⑥	Piston seal	NBR	
②⑦	Rod seal	NBR	
②⑧	Cushion seal	Urethane	
②⑨	Gasket A	NBR	
③①	Gasket B	NBR	
③①	Gasket C	NBR	

Replacement Parts: Seal Kit

Bore size (mm)	Part no.	Contents
16	MGP16-A-PS	Set of nos. ②⑥, ②⑦, ②⑧, ②⑨, ③①, ③①
20	MGP20-A-PS	
25	MGP25-A-PS	
32	MGP32-A-PS	
40	MGP40-A-PS	
50	MGP50-A-PS	
63	MGP63-A-PS	
80	MGP80-A-PS	
100	MGP100-A-PS	

* The seal kit includes ②⑥ to ③①. Order the seal kit based on each bore size.

* Since the seal kit does not include a grease pack, it should be ordered separately.

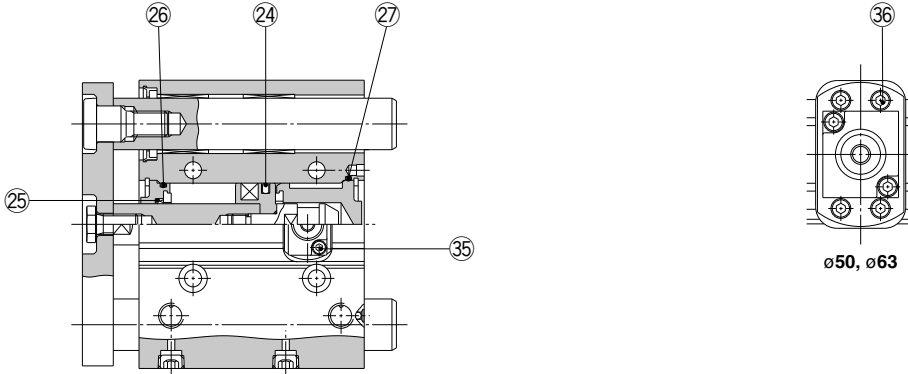
Grease pack part no.: GR-S-010 (10 g)

MGP Series

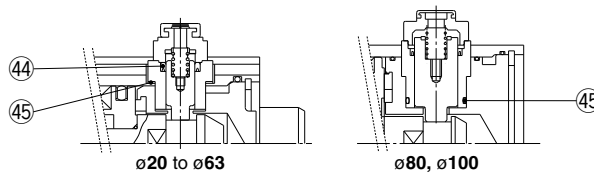
ø20, ø25, ø32, ø40
ø50, ø63, ø80, ø100



Construction



Non-locking type (Head end lock)



* The numbers correspond with those in the "Construction" of the MGP series in the Best Pneumatics catalog.

Seal Kit List

No.	Description	Material	Note
24	Piston seal	NBR	
25	Rod seal	NBR	
26	Gasket A	NBR	
27	Gasket B	NBR	
35	Hexagon socket head cap screw	Carbon steel	
36	Hexagon socket head cap screw	Carbon steel	
44	Lock piston seal	NBR	
45	Lock holder gasket	NBR	

Replacement Parts: Seal Kit

Bore size (mm)	Part no.	Contents
20	MGP20-B-PS	Set of nos. 24, 25, 26, 27, 35, 44, 45
25	MGP25-B-PS	
32	MGP32-B-PS	
40	MGP40-B-PS	Set of nos. 24, 25, 26, 27, 35, 36, 44, 45
50	MGP50-B-PS	
63	MGP63-B-PS	
80	MGP80-B-PS	Set of nos. 24, 25, 26, 27, 35, 44, 45
100	MGP100-B-PS	

* Each seal kit includes the parts listed above. Order the seal kit based on each bore size.

* Since the seal kit does not include a grease pack, it should be ordered separately.

Grease pack part no.: GR-S-010 (10 g)

Actuators

Modular F.R.L.
Pressure Control Equipment

Air Preparation
Equipment

Industrial Filters

Replacement
Procedure

Actuators

Modular F.R.L.
Pressure Control Equipment

Industrial Filters