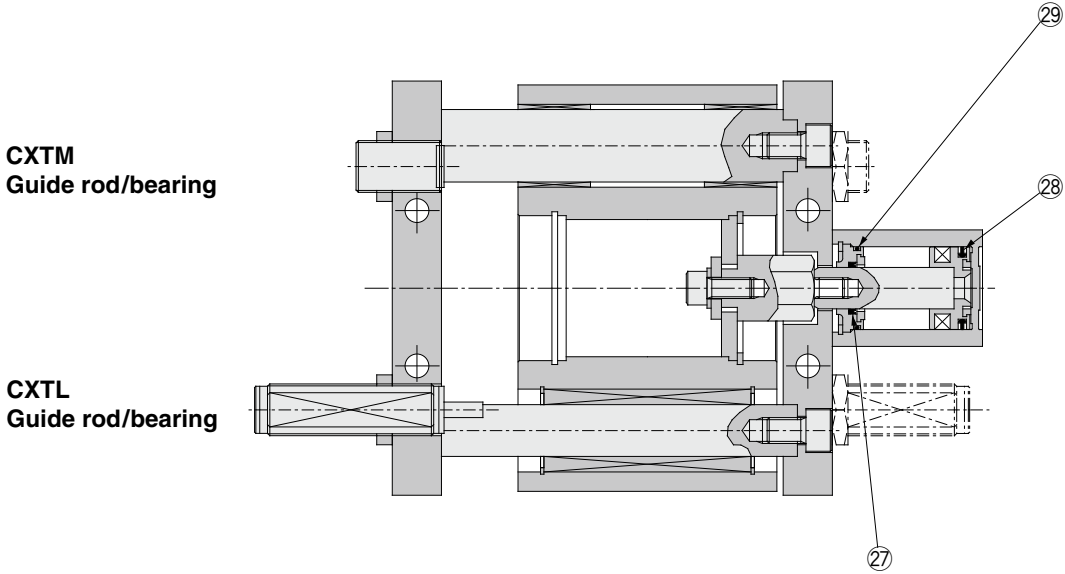


Construction



* The numbers correspond with those in the "Construction" of the CXT series in the Best Pneumatics catalog.

Seal Kit List

No.	Description	Material	Note
27	Rod seal	NBR	
28	Piston seal		
29 ^{Note)}	Tube gasket		

Note) The same type of the part is equipped to the head side for the long stroke type.

Replacement Parts: Seal Kit

Model	Cylinder	Part no
Standard stroke		
CXT□12	CDQSB12	CQSB12-PS
CXT□16	CDQSB16	CQSB16-PS
CXT□20	CDQSB20	CQSB20-PS
CXT□25	CDQSB25	CQSB25-PS
CXT□32	CDQ2A32	CQ2B32-PS
CXT□40	CDQ2A40	CQ2B40-PS

Long stroke

CXT□12	CDQSB12	CQSB12-L-PS
CXT□16	CDQSB16	CQSB16-L-PS
CXT□20	CDQSB20	CQSB20-L-PS
CXT□25	CDQSB25	CQSB25-L-PS
CXT□32	CDQ2A32	CQ2A32-L-PS
CXT□40	CDQ2A40	CQ2A40-L-PS

* The seal kit includes 27, 28 and 29. Order the seal kit with the kit number.

* Since the seal kit does not include a grease pack, it should be ordered separately.

Grease pack part no.: GR-S-010 (10 g)