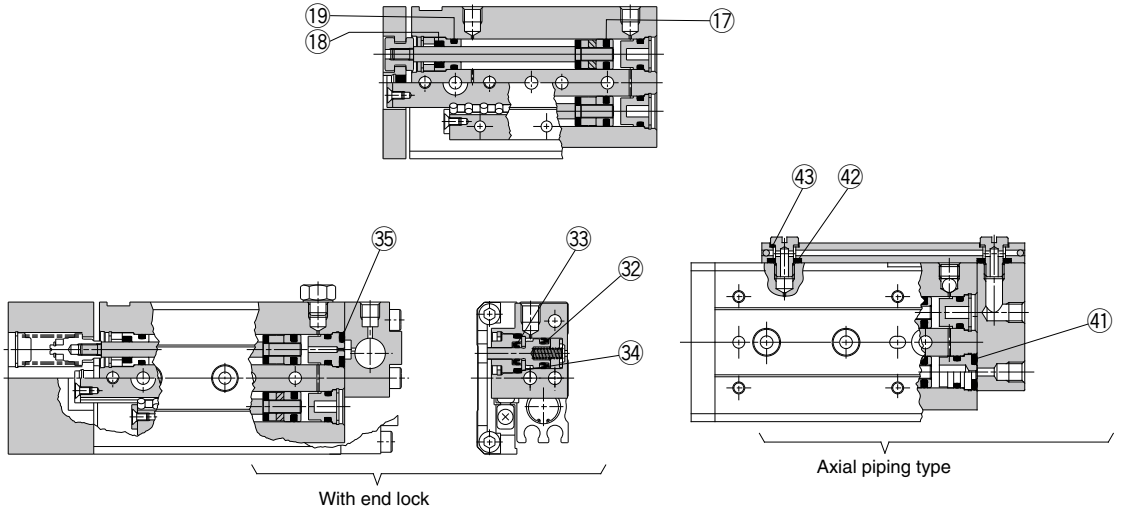


MXS Series

ø6, ø8, ø12, ø16
ø20, ø25

The Replacement Procedure is on p. 352

Construction



* The numbers correspond with those in the "Construction" of the MXS series in the Best Pneumatics catalog.

Seal Kit List

No.	Description	Material	Note
17	Piston seal	NBR	
18	Rod seal		
19	O-ring		

With end lock

32	Piston seal	NBR	
33	Rod seal		
34	O-ring		
35	O-ring		

Axial piping type

41	O-ring	NBR	
42	O-ring	NBR	
43	Gasket		

* The seal kit includes 1 set of numbered seals in the table on the right. Order the appropriate seal kit depending on the cylinder bore size.

Replacement Parts: Seal Kit

Bore size (mm)	Part no.	Contents
6	MXS6-PS	Set of nos. 17, 18, 19
8	MXS8-PS	
12	MXS12-PS	
16	MXS16-PS	
20	MXS20-PS	
25	MXS25-PS	

Replacement Parts: Seal Kit for with End Lock

Bore size (mm)	Part no.	Contents
8	MXS8R-PS	Set of nos. 17, 18, 19, 32, 33, 34, 35
12	MXS12R-PS	
16	MXS16R-PS	
20	MXS20R-PS	
25	MXS25R-PS	

Replacement Parts: Seal Kit for Axial Piping Type

Bore size (mm)	Part no.	Contents
6	MXS6P-PS	Set of nos. 17, 18, 19, 41, 42, 43
8	MXS8P-PS	
12	MXS12P-PS	
16	MXS16P-PS	
20	MXS20P-PS	
25	MXS25P-PS	

Replacement Parts: Grease Pack

Applied unit	Grease pack part no.
Guide unit	GR-S-010 (10 g) GR-S-020 (20 g)
Cylinder unit	GR-L-005 (5 g) GR-L-010 (10 g)