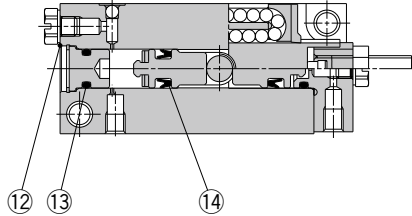


Construction

MXP6



* The numbers correspond with those in the "Construction" of the MXP series in the Best Pneumatics catalog.

Seal Kit List

No.	Description	Material	Note
⑫	Gasket (for plug)	PVC	
⑬	O-ring	NBR	
⑭	Piston seal		

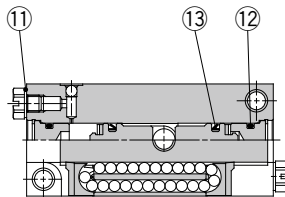
Replacement Parts: Seal Kit

Bore size (mm)	Part no.	Contents
6	MXP6-PS	A set of two of ⑫, ⑬ and ⑭ each

Replacement Parts: Grease Pack

Applied unit	Grease pack part no.
Guide unit	GR-S-010 (10 g)
	GR-S-020 (20 g)
Cylinder unit	GR-L-005 (5 g)
	GR-L-010 (10 g)

MXPJ6



* The numbers correspond with those in the "Construction" of the MXP series in the Best Pneumatics catalog.

Seal Kit List

No.	Description	Material	Note
⑪	Gasket (for plug)	PVC	
⑫	O-ring	NBR	
⑬	Piston seal		

Replacement Parts: Seal Kit

Bore size (mm)	Part no.	Contents
6	MXPJ6-PS	2 pieces of nos. ⑪, ⑫ and ⑬

Replacement Parts: Grease Pack

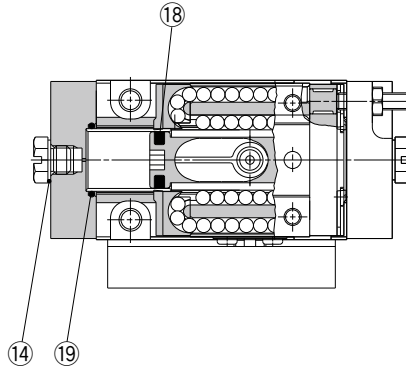
Applied unit	Grease pack part no.
Guide unit	GR-S-010 (10 g)
	GR-S-020 (20 g)
Cylinder unit	GR-L-005 (5 g)
	GR-L-010 (10 g)

MXP Series

ø8, ø10, ø12, ø16



Construction



* The numbers correspond with those in the "Construction" of the MXP series in the Best Pneumatics catalog.

Seal Kit List

No.	Description	Material	Note
14	Gasket (for plug)	NBR, stainless steel	
18	Piston seal	NBR	
19	O-ring		

Replacement Parts: Seal Kit

Bore size (mm)	Part no.	Contents
8	MXP8-PS	A set of two of 14, 18 and 19 each
10	MXP10-PS	
12	MXP12-PS	
16	MXP16-PS	

Replacement Parts: Grease Pack

Applied unit	Grease pack part no.
Guide unit	GR-S-010 (10 g)
	GR-S-020 (20 g)
Cylinder unit	GR-L-005 (5 g)
	GR-L-010 (10 g)

Actuators

Modular F.R.L.
Pressure Control Equipment

Air Preparation
Equipment

Industrial Filters

Replacement
Procedure

Actuators

Modular F.R.L.
Pressure Control Equipment

Industrial Filters